





**B33AG201B001  
MG Set Exciter – Inventory  
Boxes 1 & 2 of 2**

Date Last Revised: 08/08/2005

<b>Box 1 of 2 – Container 1A – Field</b>	<b>Box 1 of 2 – Container 1B – Exciter Rotor</b>
	
<b>Description:</b>  Field, Core Wound (1) ID #: 34X228750 G34 Dwg # 34D114319 Part Number 041	<b>Description:</b>  Exciter Rotor Wound (1) ID# 34X414216 G35 Dwg # 34D114319 Part Number 042
<b>Box 1 Approximate Dimensions: 2'10" L x 2'6" W x 2'9" H</b>	
<b>Box 1 Approximate Weight: 500 lbs.</b>	

<b>Box 2 of 2 – Container 2A – Rectifier Assembly</b>	<b>Box 2 of 2 – Container 2B – Collector Assembly and Stud Assembly</b>
	
<b>Description:</b>  Rectifier Assembly (1) ID #: 34A529006 G02 Dwg # 34D114319 Part Number 033	<b>Description:</b>  Stud Assembly (1) Collector Assembly (1)
<b>Box 2 - Approximate Dimensions: 3' L x 1'9" W x 2'4" H</b>	
<b>Box 2 - Approximate Weight: 245 lbs.</b>	

**B33AG201B001  
MG Set Exciter – Inventory  
Boxes 1 & 2 of 2**

Date Last Revised: 08/08/2005

**Box 2 of 2 – Container 2C – Misc. Parts**

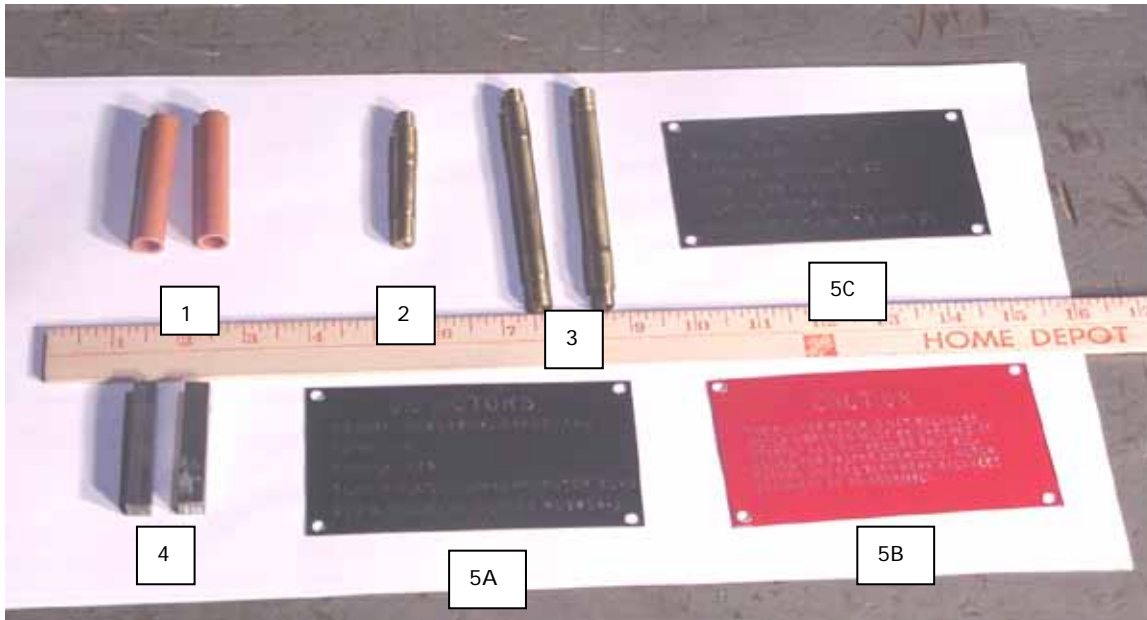




Photo Identifier	Qty	Description	ID Number	Dwg # 34D114319 Part Number
1	2	Spacer	34A381014 P001	
2	1	Stud	34A811071 P003	024
3	2	Connectors	34A811069 P004	045
4	2	Keys 3/8 x 3/8 x 3 1/2	Dwg# 4001A6033AA 34A690413 – 002	014 034
	3	Name Plates		
5A			5A – GE Motor	
5B			5B - Caution	
5C			5C - Rating	


**B33AG201B001  
MG Set Exciter – Inventory  
Boxes 1 & 2 of 2**

Date Last Revised: 08/08/2005

**Box 2 of 2 – Container 2C – Misc. Parts (continued)**

			
Qty	Description	ID Number	Dwg # 34D114319 Part #
10	Felt Seal (A = 19.0)	34A774272 P001	048
1	Drip Plate (2 halves)	34A590297 P001	047

**Box 2 of 2 – Container 2D – End Cover**

			
Qty	Description	ID Number	Dwg # 34D114319 Part #
1	End Cover	34C636820	028